

Specifications

MODEL		GTH™-3007	
MEASUREMENTS	Metric	US	
Lifting height maximum	6.90 m	22 ft 8 in	
Lifting capacity maximum	3,000 kg	6,614 lbs	
Lift capacity at maximum height	2,500 kg	5,512 lbs	
Lift capacity at maximum reach	800 kg	1,764 lbs	
Forward reach maximum	3.90 m	12 ft 9 in	
Reach at maximum height	0.76 m	2 ft 6 in	
A Height	2.07 m	6 ft 9 in	
B Height at steering wheel	1.35 m	4 ft 5 in	
C Width	1.99 m	6 ft 6 in	
D Inside cab width	0.75 m	2 ft 5 in	
E Track	1.59 m	5 ft 3 in	
F Wheelbase	2.66 m	8 ft 8 in	
G Length at fork-holder plate	4.71 m	15 ft 5 in	
H Ground clearance	0.50 m	1 ft 8 in	
I Overall length	5.91 m	19 ft 5 in	
M1 Obstruction angle	90°	90°	
M2 Departure angle	50°	50°	

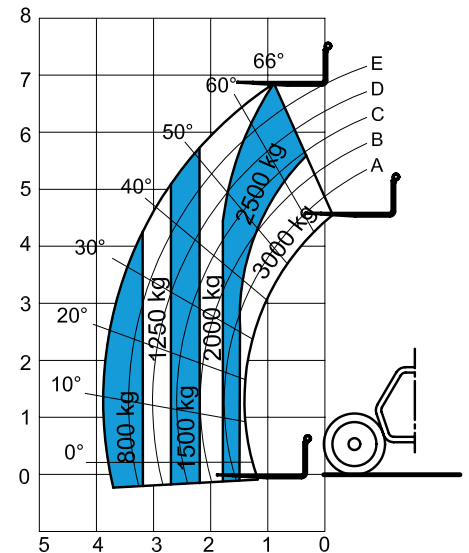
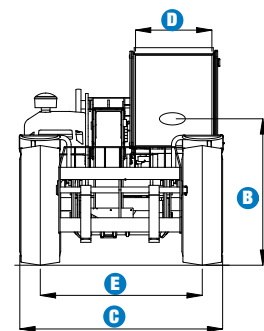
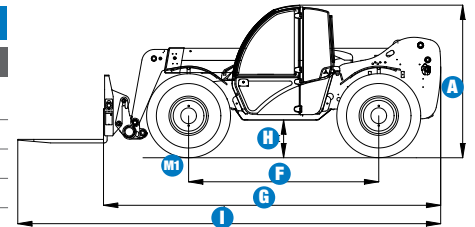
PRODUCTIVITY		
Inside/outside turning radius	2.20 m / 3.80 m	7 ft 3 in / 12 ft 6 in
Break out force		
(with 800 L bucket SAE J732)	4,270 kg	9,414 lbs
Drawbar pull	5,200 kg	11,464 lbs
Drive speed	32 km/h	17 mph
Fork-holder plate rotation	128°	128°
Floating forks	Length 1.20 m	Length 3 ft 11 in
	Section 100 x 50 mm	Section 4 in x 2 in
Tyres (DIN 70361)	405/70-20" PR14 8-hole wheel rim	
Lifting/lowering speed**	9 / 7 sec	9 / 7 sec
Extension/retraction speed**	8 / 5 sec	8 / 5 sec

POWER		
Engine	Deutz TD2011 L04W Turbo Diesel 68 kW (91 hp), Tier 3	
Tank capacities		
Fuel	90 L	23.8 gal
Engine oil	10 L	2.6 gal
Hydraulic oil	80 L	21.1 gal

WEIGHT		
Weight****	6,100 kg	13,448 lbs

STANDARDS COMPLIANCE
AS 1418.19, EN 1459
EU Machinery Directive 98/37/CE
Operating cab conforms to ISO3471 (ROPS) and ISO3449 (FOPS)
Low emission engine conforms to EU Directive 97/68/EC stage III

**Without load
 *** Weight will vary depending on options and/or country standards
 **** Load ratings vary depending on attachment



Lift capacity chart with floating forks****

Features

STANDARD FEATURES

MEASUREMENTS

- 3,000 kg (6,614 lb) maximum lift capacity
- 6.90 m (22 ft 8 in) maximum lift height
- 3.99 m (13 ft 1 in) maximum forward reach

PRODUCTIVITY

- 4WD
- Four wheel steer
- Three steering modes:
 - Front wheel steer
 - Crab steer
 - Coordinated steer
- Hydraulic line on boom
- Power assisted steering
- Hydrostatic transmission with variable displacement pump and motor
- Two-speed mechanical gearbox
- Multi function electro-proportional joystick
- Limited slip differential on front axle
- Floating forks
- Quick coupling of attachments from cab
- Two-section door (glass upper/steel lower)
- Angle and length indicators on boom
- Adjustable suspended seat
- Large diameter steering wheel
- Front and rear windscreen wipers
- Sunshield
- Roof protection grid
- Two side rear view mirrors
- Windshield protection grid
- Front and rear lights
- Side-mounted engine for easy access to components
- Oil immersed multi-disc brake on front axle
- Lockable fuel tank
- Load Management System (LMS) with:
 - Visible display with coloured LEDs
 - Audible alarm
 - Automatic lock-out of boom extension, lifting and lowering

STANDARD FEATURES cont.

- Control enable switch
- Boom safety strut

POWER

- Deutz turbo diesel 68 kW (91 hp), Tier 3

TYRES

- 405/70-20" tyres

OPTIONS & ACCESSORIES

PRODUCTIVITY

- Air conditioning
- Hydraulic inching
- Adjustable spotlight
- Additional armrest
- Fish eye rear view mirror in the back
- Spare wheel
- AM/FM radio with CD player

ATTACHMENT OPTIONS

Genie has a large range of attachments available. Please contact Genie or your nearest Genie telehandler dealer.



Genie Australia – Toll free number 1800 788 633

Brisbane (Head Office)
33 Kimberley Street
Darra QLD 4076

Sydney
74 Glendenning Road
Glendenning NSW 2761

Melbourne
374 Hammond Road
Dandenong VIC 3175

Perth
126 Sheffield Road
Welshpool WA 6106

Genie United States Distributed by:

18340 NE 76th Street
P.O. Box 97030
Redmond, Washington
98073-9730

Effective Date: April 2012. Product specifications and prices are subject to change without notice or obligation. The photographs and/or drawings in this document are for illustrative purposes only. Refer to the appropriate Operators' Manual for instructions on the proper use of this equipment. Failure to follow the Operators Manual when using our equipment or to otherwise act irresponsibly may result in serious injury or death. The only warranty applicable to our equipment is the standard written warranty applicable to the particular product and sale and we make no other warranty, express or implied. Products and services listed may be trademarks, service marks, or trade names of Terex Corporation, Terex South Dakota, Inc., and/or their subsidiaries in the USA and other countries. All rights reserved. Terex is a registered trademark of Terex Corporation in the USA and many other countries. Genie is a registered trademark of Terex South Dakota, Inc. in the USA and many other countries. ©2009 Terex Corporation.